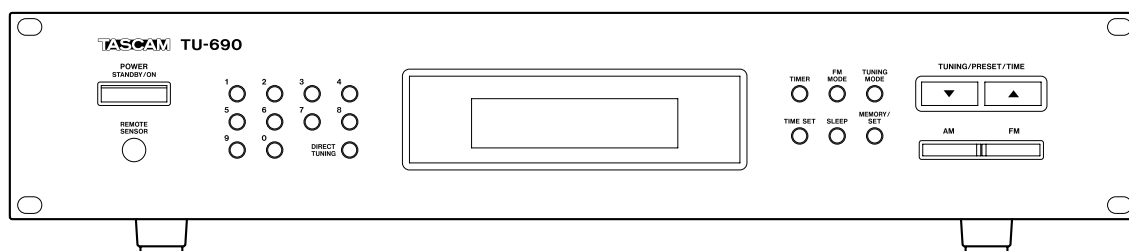


TASCAM

TEAC Professional Division

TU-690

AM/FM Stereo Tuner



OWNER'S MANUAL
MANUEL DU PROPRIETAIRE
MANUAL DEL USUARIO



CAUTION
 RISK OF ELECTRIC SHOCK
 DO NOT OPEN



CAUTION: TO REDUCE THE RISK OF ELECTRIC SHOCK, DO NOT REMOVE COVER (OR BACK). NO USER-SERVICEABLE PARTS INSIDE. REFER SERVICING TO QUALIFIED SERVICE PERSONNEL.



The lightning flash with arrowhead symbol, within an equilateral triangle, is intended to alert the user to the presence of uninsulated "dangerous voltage" within the product's enclosure that may be of sufficient magnitude to constitute a risk of electric shock to persons.



The exclamation point within an equilateral triangle is intended to alert the user to the presence of important operating and maintenance (servicing) instructions in the literature accompanying the appliance.

This appliance has a serial number located on the rear panel. Please record the model number and serial number and retain them for your records.
 Model number _____
 Serial number _____

WARNING: TO PREVENT FIRE OR SHOCK HAZARD, DO NOT EXPOSE THIS APPLIANCE TO RAIN OR MOISTURE.

Important Safety Instructions

For U.S.A.

TO THE USER

This equipment has been tested and found to comply with the limits for a Class B digital device, pursuant to Part 15 of the FCC Rules. These limits are designed to provide reasonable protection against interference in a residential area. This device generates and uses radio frequency energy and if not installed and used in accordance with the instructions, it may cause interference to radio or TV reception. If this unit does cause interference with TV or radio reception you can try to correct the interference by one or more of the following measures :

- a) Reorient or relocate the receiving antenna.
- b) Increase the separation between the equipment and the receiver.
- c) Plug the equipment into a different outlet so that it is not on the same circuit as the receiver. If necessary, consult the dealer or an experienced radio/TV technician for additional suggestions.

CAUTION

Changes or modifications to this equipment not expressly approved by TEAC CORPORATION for compliance could void the user's authority to operate this equipment.

For CANADA

AC POWER CORD CONNECTION

CAUTION:

TO PREVENT ELECTRIC SHOCK, MATCH WIDE BLADE OF PLUG TO WIDE SLOT, FULLY INSERT.

Pour le CANADA

CORDE DE CONNEXION CA

ATTENTION:

POUR ÉVITER LES CHOCS ÉLECTRIQUES, INTRODUIRE LA LAME LA PLUS LARGE DE LA FICHE DANS LA BORNE CORRESPONDANTE DE LA PRISE ET POUSSER JUSQU'AU FOND.

Important Safety Instructions

CAUTION

- Read all of these Instructions.
- Save these Instructions for later use.
- Follow all Warnings and Instructions marked on the audio equipment.

- 1) Read Instructions** — All the safety and operating instructions should be read before the product is operated.
- 2) Retain Instructions** — The safety and operating instructions should be retained for future reference.
- 3) Heed Warnings** — All warnings on the product and in the operating instructions should be adhered to.
- 4) Follow Instructions** — All operating and use instructions should be followed.
- 5) Cleaning** — Unplug this product from the wall outlet before cleaning. Do not use liquid cleaners or aerosol cleaners. Use a damp cloth for cleaning.
- 6) Attachments** — Do not use attachments not recommended by the product manufacturer as they may cause hazards.
- 7) Water and Moisture** — Do not use this product near water — for example, near a bath tub, wash bowl, kitchen sink, or laundry tub; in a wet basement; or near a swimming pool; and the like.
- 8) Accessories** — Do not place this product on an unstable cart, stand, tripod, bracket, or table. The product may fall, causing serious injury to a child or adult, and serious damage to the product. Use only with a cart, stand, tripod, bracket, or table recommended by the manufacturer, or sold with the product. Any mounting of the product should follow the manufacturer's instructions, and should use a mounting accessory recommended by the manufacturer.
- 9) A product and cart combination should be moved with care.** Quick stops, excessive force, and uneven surfaces may cause the product and cart combination to overturn.



10) Ventilation — Slots and openings in the cabinet are provided for ventilation and to ensure reliable operation of the product and to protect it from overheating, and these openings must not be blocked or covered. The openings should never be blocked by placing the product on a bed, sofa, rug, or other similar surface. This product should not be placed in a built-in installation such as a bookcase or rack unless proper ventilation is provided or the manufacturer's instructions have been adhered to.

11) Power Sources — This product should be operated only from the type of power source indicated on the marking label. If you are not sure of the type of power supply to your home, consult your product dealer or local power company. For products intended to operate from battery power, or other sources, refer to the operating instructions.

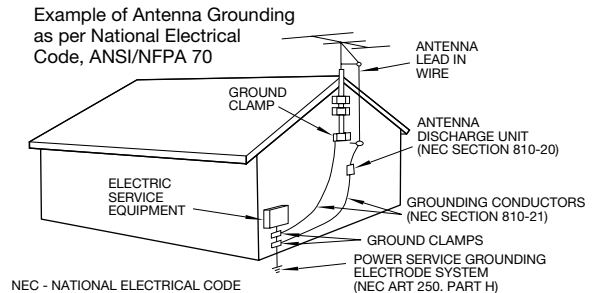
12) Grounding or Polarization — This product may be equipped with a polarized alternating-current line plug (a plug having one blade wider than the other). This plug will fit into the power outlet only one way. This is a safety feature. If you are unable to insert the plug fully into the outlet, try reversing the plug. If the plug should still fail to fit, contact your electrician to replace your obsolete outlet. Do not defeat the safety purpose of the polarized plug.

13) Power-Cord Protection — Power-supply cords should be routed so that they are not likely to be walked on or pinched by items placed upon or against them, paying particular attention to cords at plugs, convenience receptacles, and the point where they exit from the product.

14) Outdoor Antenna Grounding — If an outside antenna or cable system is connected to the product, be sure the antenna or cable system is grounded so as to provide some protection against voltage surges and built-up static charges. Article 810 of the National Electrical Code, ANSI/NFPA 70, provides information with regard to proper grounding of the mast and supporting structure, grounding of the lead-in wire to an antenna discharge unit, size of grounding conductors, location of antenna-discharge unit, connection to grounding electrodes, and requirements for the grounding electrode.

Note to CATV system installer:

This reminder is provided to call the CATV system installer's attention to Section 820-40 of the NEC which provides guidelines for proper grounding and, in particular, specifies that the cable ground shall be connected to the grounding system of the building, as close to the point of cable entry as practical."



15) Lightning — For added protection for this product during a lightning storm, or when it is left unattended and unused for long periods of time, unplug it from the wall outlet and disconnect the antenna or cable system. This will prevent damage to the product due to lightning and power-line surges.

16) Power Lines — An outside antenna system should not be located in the vicinity of overhead power lines or other electric light or power circuits, or where it can fall into such power lines or circuits. When installing an outside antenna system, extreme care should be taken to keep from touching such power lines or circuits as contact with them might be fatal.

17) Overloading — Do not overload wall outlets, extension cords, or integral convenience receptacles as this can result in risk of fire or electric shock.

18) Object and Liquid Entry — Never push objects of any kind into this product through openings as they may touch dangerous voltage points or short-out parts that could result in a fire or electric shock. Never spill liquid of any kind on the product.

19) Servicing — Do not attempt to service this product yourself as opening or removing covers may expose you to dangerous voltage or other hazards. Refer all servicing to qualified service personnel.

20) Damage Requiring Service — Unplug this product from the wall outlet and refer servicing to qualified service personnel under the following conditions:

- a) when the power-supply cord or plug is damaged.
- b) if liquid has been spilled, or objects have fallen into the product.
- c) if the product has been exposed to rain or water.
- d) if the product does not operate normally by following the operating instructions. Adjust only those controls that are covered by the operating instructions as an improper adjustment of other controls may result in damage and will often require extensive work by a qualified technician to restore the product to its normal operation.
- e) if the product has been dropped or damaged in any way.
- f) when the product exhibits a distinct change in performance _ this indicates a need for service.

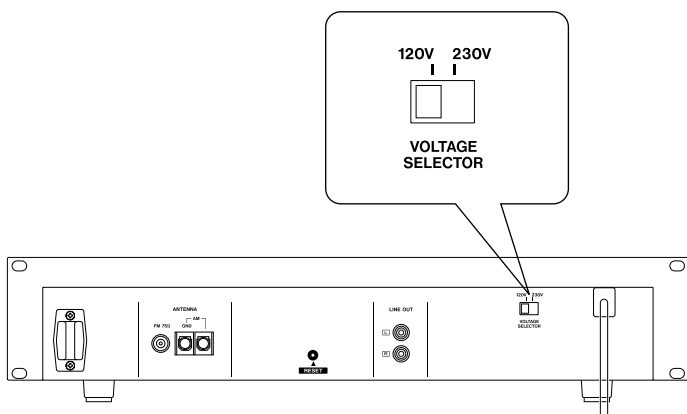
21) Replacement Parts — When replacement parts are required, be sure the service technician has used replacement parts specified by the manufacturer or have the same characteristics as the original part. Unauthorized substitutions may result in fire, electric shock, or other hazards.

22) Safety Check — Upon completion of any service or repairs to this product, ask the service technician to perform safety checks to determine that the product is in proper operating condition.

23) Wall or Ceiling Mounting — The product should be mounted to a wall or ceiling only as recommended by the manufacturer.

24) Heat — The product should be situated away from heat sources such as radiators, heat registers, stoves, or other products (including amplifiers) that produce heat.

| | |
|-----------------------------------|----|
| Before Use..... | 6 |
| Connecting Antennas | 8 |
| Connection with an Amplifier..... | 10 |
| Remote Control Unit | 12 |
| Name of Each Control | 14 |
| Radio Reception | 16 |
| Direct Tuning | 18 |
| Preset Tuning | 20 |
| Manual Memory Presetting | 22 |
| Setting the Clock | 24 |
| Sleep Timer | 24 |
| Setting the Timer | 26 |
| Troubleshooting | 28 |
| Specifications | 28 |



Voltage Conversion

(General export models only)

Be sure to remove the power cord from the AC outlet before repositioning the voltage converter switch.

1. Locate the voltage selector on the rear panel.
2. Using a flat-bladed screwdriver, set to the appropriate 230V or 120V position according to your area.

IN NORTH AMERICA USE ONLY ON 120 V SUPPLY.

Sommaire

| | |
|---|----|
| Avant Utilisation | 7 |
| Raccordements d'antenne | 9 |
| Raccordement à un amplificateur | 11 |
| Télécommande | 13 |
| Nomenclature | 15 |
| Réception de la radio | 17 |
| Syntonisation directe | 19 |
| Syntonisation préréglée | 21 |
| Préréglage manuel de la mémoire | 23 |
| Réglage de l'horloge | 25 |
| Temporisation de veille | 25 |
| Réglage de la temporisation (Timer) | 27 |
| Dépannage | 29 |
| Spécifications | 29 |

Índice

| | |
|------------------------------------|----|
| Previo al empleo | 7 |
| Conexión de antenas | 9 |
| Conexión con un amplificador | 11 |
| Control remoto | 13 |
| Nombre de los controles..... | 15 |
| Recepción de radio..... | 17 |
| Sintonización directa | 19 |
| Sintonización preajustada | 21 |
| Preajuste manual de memoria | 23 |
| Ajuste del reloj..... | 25 |
| Temporizador para dormir | 25 |
| Ajuste del temporizador | 27 |
| Solución de problemas..... | 30 |
| Especificaciones | 30 |

Changement de tension

(Modèles d'exportation générale seulement)

Bien débrancher le cordon d'alimentation de la prise secteur avant de repositionner le sélecteur de changement de tension.

1. Localiser le sélecteur de tension à l'arrière de l'appareil.
2. En utilisant un tournevis à lame plate, régler sur la position appropriée 230V ou 120V en fonction de la tension locale.

DANS L'AMÉRIQUE DU NORD: UTILISABLE SUR 120 V D'ALIMENTATION UNIQUEMENT.

Conversión de voltaje

(Únicamente modelos generales par a exportación)

Asegúrese de quitar el cable de energía de la salida de CA antes de volver de colocar el interruptor convertidor de voltaje.

1. Localice el selector de voltaje en el tablero posterior.
2. Utilizando un destornillador de hoja plana, ajuste a la posición adecuada de 230V o 220V de acuerdo con su área.

EN NORTEAMÉRICA, UTILICE ÚNICAMENTE SUMINSITRO DE 120 V

Read this before operation

- Choose the installation location of your unit carefully. Avoid placing it in direct sunlight or close to a source of heat. Also avoid locations subject to vibrations and excessive dust, heat, cold or moisture.
- Do not open the cabinet as this might result in damage to the circuitry or electrical shock. If a foreign object should get into the set, contact your dealer.
- When removing the power plug from the wall outlet, always pull directly on the plug, never yank the cord.
- Do not attempt to clean the unit with chemical solvents as this might damage the finish. Use a clean, dry cloth.
- Keep this manual in a safe place for future reference.

Resetting the Unit to Normal

In the following cases, function buttons may not work properly.

- 1) When the system is damaged by some electrical shock.
- 2) When the power is irregular or has electrical noises.

In these cases, unplug the AC power cord and plug it again.

Lire ceci avant de faire fonctionner l'appareil

- Choisir avec soin l'endroit où vous placerez votre appareil. Eviter de le placer directement au soleil ou près d'une source de chaleur. Eviter aussi les endroits sujets à des vibrations, à de la poussière excessive, à la chaleur, au froid ou à l'humidité.
- Ne pas ouvrir le coffret car ceci risquerait de provoquer des dommages aux circuits ou des chocs électriques. Si un objet rentre dans l'appareil, contacter votre revendeur.
- Lors du débranchement du cordon d'alimentation de la prise murale, toujours tirer sur la fiche et non sur le cordon.
- Ne pas essayer de nettoyer l'appareil avec des solvants chimiques car ceci pourrait endommager le fini de l'appareil. Utiliser un chiffon propre et sec.
- Garder soigneusement ce manuel d'instructions pour une référence ultérieure.

Remise de l'appareil au normal

Dans les cas suivants, les boutons de fonctions peuvent ne pas fonctionner correctement

- 1) Quand le système est endommagé par un choc électrique.
- 2) Quand l'alimentation est irrégulière ou bruyante

Dans ces cas, débrancher le cordon d'alimentation et le rebrancher.

Lea lo siguiente antes de poner en funcionamiento el aparato

- Elija con cuidado el lugar de instalación para su aparato. No lo coloque a la luz solar directa o cerca de fuentes que generen calor. Evite también lugares expuestos a vibraciones y muy polvorientos, calurosos, fríos o húmedos.
- No abra el gabinete ya que esto podría producir daños en los circuitos o electrochoques. Si se entrara algún objeto en el interior del aparato, póngase en contacto con su concesionario.
- Al desenchufar el cordón del tomacorriente, tire siempre de la clavija, nunca del cordón.
- No utilice solventes químicos para limpiar el aparato ya que podría dañar el acabado. Use un paño seco y limpio.
- Guarde este manual en un lugar seguro para usarlo como referencia en el futuro.

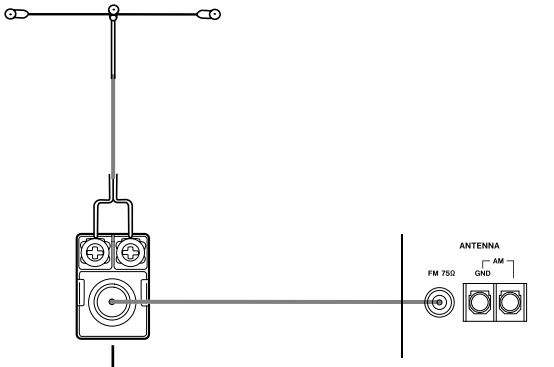
Vuelta del aparato a la normalidad

Los botones de las funciones pueden no responder correctamente en los siguientes casos:

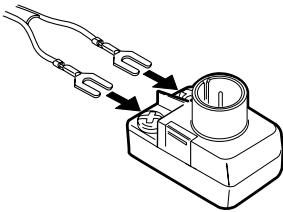
- 1) Cuando alguna descarga eléctrica haya dañado el sistema.
- 2) Cuando la corriente sea irregular o experimente perturbaciones eléctricas.

En estos casos, desconecte el cable de alimentación y vuélvalo a conectar.

"T"-type FM Antenna (300Ω)(provided)
 Antenne FM type "T" (300Ω) (fournie)
 Antena FM tipo "T" (300Ω) (incluida)

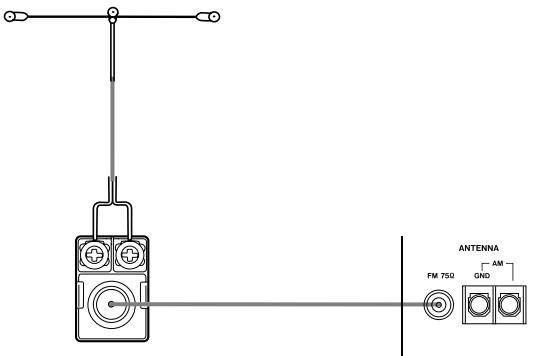


Matching Transformer(provided)
 Transformateur d'adaptation (fournie)
 Transformador de adaptación (incluido)



Outdoor FM Antenna (300Ω)
 Antenne FM extérieure (300Ω)
 Antena Externa de FM (300Ω)

Outdoor FM Antenna (75Ω)
 Antenne FM extérieure (75Ω)
 Antena Externa de FM (75Ω)



Matching Transformer(provided)
 Transformateur d'adaptation (fournie)
 Transformador de adaptación (incluido)

FM Indoor Antenna

In an area with strong FM signals, the "T"-type FM antenna provided is sufficient.

Extend this into a "T" shape and connect the two wires at the base of the "T" to the provided matching transformer, as shown.

After completing connection, plug the transformer into the "FM 75Ω" socket. Extend the top of the "T" and fix with thumb tacks, or the like, to a wall or window frame for the best possible reception.

FM Outdoor Antenna

In an area where FM signals are weak, it will be necessary to use an outdoor antenna with 3 or more elements. If you are using a 300-ohm antenna, connect it to the tuner via the supplied matching transformer. (No need for it in connecting a 75-ohm antenna.)

Antenne FM intérieure

Dans une région où les signaux FM sont forts, l'antenne de type en "T" fournie est suffisante. Étendez-la en forme de "T" et connectez les deux fils de la base du "T" au transformateur d'adaptation fournie, comme montré. Après avoir effectué cette opération, branchez le transformateur à la prise "FM 75Ω". Étendre le haut du "T" et le fixer avec des punaises, etc. à un mur ou un cadre de fenêtre pour la meilleure réception possible.

Antenne FM extérieure

Dans les endroits où les signaux FM sont faibles, il sera nécessaire d'utiliser une antenne fm externe ayant un minimum de 3 éléments. Si vous utilisez une antenne de 300 ohms, la brancher au syntonisateur utilisant le transformateur d'impédance. (Il n'est pas requis si l'antenne est de 75 ohms).

Antena FM para Interiores

En un área con señales fuertes de FM, la antena FM tipo "T" que se proporciona es suficiente.

Extienda ésta en forma de "T" y conecte los dos cables en la base de la "T" al transformador de adaptación tal como se muestra.

Después de terminar la conexión, conecte el transformador en el socket "FM" de 75Ω. Extienda la parte superior de la "T" y fíjela con tachuelas de cabeza plana, o algo similar, a una pared o marco de una ventana para la mejor recepción posible.

Antena externa de FM

En un área en donde las señales de FM son débiles, será necesario utilizar una antena exterior con tres o más elementos. Si está utilizando una antena de 300 ohms, conéctela al sintonizador a través del transformador de adaptación suministrado. (No es necesario conectarlo a la antena de 75 ohms).

Connecting Antennas (2)

AM (MW) Antenna

● AM Indoor Loop Antenna

A high-performance AM loop antenna provided with the tuner is sufficient for good reception in most areas.

Snap the supplied loop antenna into the hinge on the rear of the unit, and connect the wires running out the loop antenna to the AM terminals, as shown.

When you actually try listening AM programs later, you may want to turn the loop antenna on the hinge for the best possible reception.

● AM Outdoor Antenna

If the AM loop antenna provided does not deliver sufficient reception (because you are too far from the transmitter or in a concrete building, etc.), it may be necessary to use an outdoor AM antenna.

Use an insulated wire more than 15 ft (5 m) long, strip one end, and connect this to the terminal as shown.

The antenna wire should be strung outdoors or indoors near a window.

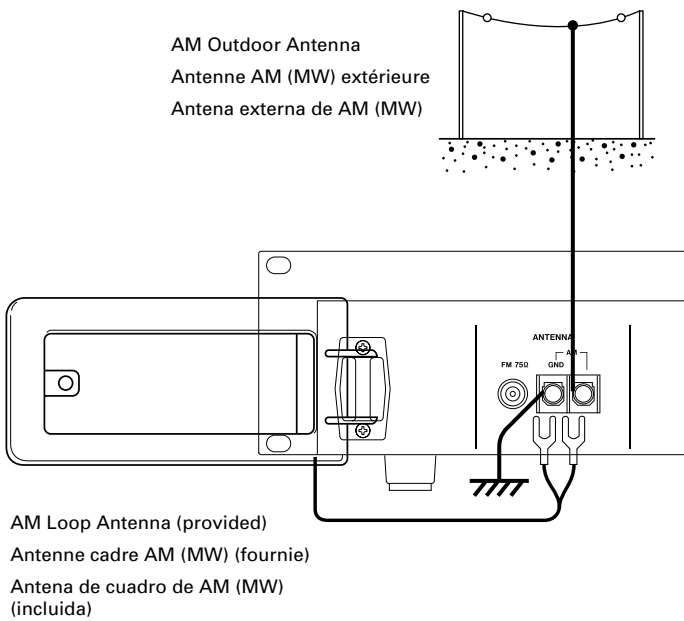
For better reception, connect the GND terminal to a reliable ground.

Note:

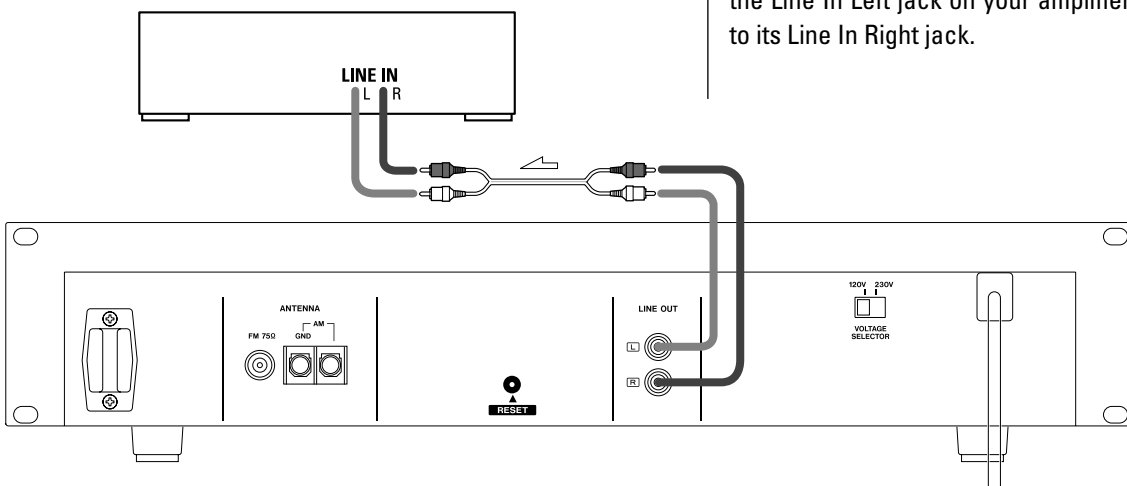
- Even when using an outdoor AM antenna, do not disconnect the AM loop antenna.

Connection with an Amplifier

Using appropriate audio cables connect the LINE OUT "L" jack to the Line In Left jack on your amplifier, and the LINE OUT "R" jack to its Line In Right jack.



Stereo Amplifier Amplificateur stéréo Amplificador estereofónico



Raccordements d'antenne (2)

Antenne AM (MW)

● Antenne-cadre intérieure AM

L'antenne cadre AM haute performance, fournie avec le syntoniseur permet une très bonne réception dans la plupart des régions.

Insérer l'antenne cadre fournie dans la charnière à l'arrière de l'appareil et brancher les fils aux bornes AM tel que démontrer.

Durant l'écoute de postes AM il peut devenir nécessaire de tourner l'antenne dans la charnière pour obtenir une meilleure réception.

● Antenne extérieure AM

Si l'antenne cadre AM fournie ne permet pas une réception satisfaisante (du fait que vous êtes situé trop loin d'un émetteur ou que vous habitez dans un bâtiment en béton, etc.), il peut être nécessaire d'utiliser une antenne AM extérieure. Utilisez un fil isolé d'une longueur supérieure à 5 m, dénudez l'une de ses extrémités et raccordez la à la borne, comme décrit sur le schéma.

Le fil d'antenne doit être tendu à l'extérieur ou à l'intérieur à proximité d'une fenêtre.

Pour une meilleure réception, raccordez la prise de terre à une masse fiable.

Remarque:

- Même si vous utilisez une antenne extérieure AM, ne débranchez pas l'antenne-cadre AM.

Raccordement à un amplificateur

Utilisant les câbles audio appropriés, branchez la prise "LINE OUT L" à la prise "Line In" de gauche de votre amplificateur et la prise "LINE OUT R" à la prise "Line In" de droite de votre amplificateur.

Conexión de antenas (2)

Antena AM (MW)

● Antena de bucle AM interior

La antena de bucle AM de altas prestaciones suministradas con el sintonizador es suficiente para una buena recepción en la mayoría de los casos.

Coloque a presión la antena de bucle suministrada en la abrazadera en la parte posterior de la unidad y conecte los cables que salen de la antena de bucle a las terminales AM tal como se muestra.

Cuando de hecho trate de escuchar programas de AM más tarde, usted puede necesitar girar la antena de bucle en la abrazadera para obtener la mejor recepción posible.

● Antena externa AM

Si la antena incluida no entrega la suficiente sensibilidad a la recepción (por que Ud. Demasiado lejos de la emisoras o en un edificio con mala recepción, etc), puede que sea necesario el uso de una antena externa AM. Utilice un cable aislado con una longitud mayor de 5 metros (15dt) con el final del mismo pelado. Conecte éste al terminal tal y como muestra el dibujo. El cable de la antena deberá quedar extendido y tirante para su uso externo y cerca de una ventana para interior. Para una mejor recepción, conecte el terminal GND a una toma de tierra de la casa.

Nota:

- Siempre que se use una antena AM externa deberá dejar conectada la antena de bucle AM.

Conexión con amplificador

Utilizando los cables de audio apropiados, conecte la entrada LINE OUT "L" (LÍNEA HACIA FUERA "L") a la Línea en la entrada izquierda de su amplificador y la entrada de LINE OUT "R" (LÍNEA HACIA FUERA "R") a su Línea en LA ENTRADA de la derecha.

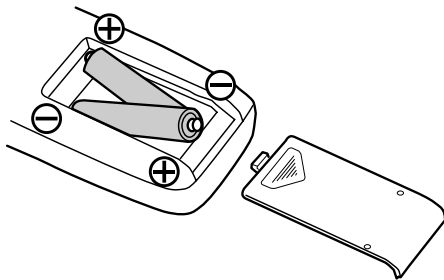
Using the Remote Control Unit

By using the provided remote control unit, the tuner and some other TASCAM components used with it can be controlled from your listening position.

To use the remote control unit, point it at REMOTE SENSOR on the tuner (or of other TASCAM component).

Notes:

- Even if the remote control unit is operated within the effective range, remote control operation may be impossible if there are any obstacles between the unit and the remote control.
- If the remote control unit is operated near other appliances which generate infrared rays, or if other remote control devices using infrared rays are used near the unit, it may operate incorrectly.
Conversely, the other appliances may operate incorrectly.



● Battery Installation

1 Remove the battery compartment cover.

2 Insert two "AA" dry batteries.

Make sure that the batteries are inserted with their positive "⊕" and negative "⊖" poles positioned correctly.

3 Close the cover until it clicks.

- If the distance required between the remote control unit and main unit decreases, the batteries are exhausted.
In this case replace the batteries with new ones.

● Precautions concerning batteries

- Be sure to insert the batteries with correct positive "⊕" and negative "⊖" polarities.
- Use batteries of the same type.
Never use different types of batteries together.
- Rechargeable and non-rechargeable batteries can be used.
Refer to the precautions on their labels.
- When the remote control unit is not to be used for a long time (more than a month), remove the batteries from the remote control unit to prevent them from leaking.
If they leak, wipe away the liquid inside the battery compartment and replace the batteries with new ones.
- Do not heat or disassemble batteries and never dispose of old batteries by throwing them in a fire.

Utilisation de la télécommande

En utilisant la télécommande fournie, le syntoniseur et certains autres appareils TASCAM utilisés avec lui peuvent être commandés à partir de votre position d'écoute. Pour utiliser la télécommande, la pointer vers le REMOTE SENSOR du syntoniseur (ou d'un autre appareil TASCAM).

Remarques:

- Même si le boîtier de télécommande est activé dans la zone de fonctionnement, la commande à distance peut être impossible s'il y a des obstacles entre le syntoniseur et le boîtier de télécommande.
- Si le boîtier de télécommande fonctionne dans le voisinage d'autres appareils générant des rayons infrarouges, ou si d'autres télécommandes utilisant des rayons infrarouges sont utilisées près du syntoniseur, le syntoniseur peut ne pas bien fonctionner. Dans la situation inverse, les autres appareils peuvent ne pas bien fonctionner.

● Remplacement des piles

- 1 Retirer le couvercle du compartiment des piles.
 - 2 Introduire deux piles "AA". S'assurer que les piles sont installées correctement en respectant les polarités plus "⊕" et moins "⊖".
 - 3 Fermer le couvercle jusqu'à son déclic.
- Si vous remarquez que la distance entre le boîtier de télécommande et l'appareil devient plus courte pour un fonctionnement correct, ceci indique que les piles sont usées. Dans ce cas, remplacer les piles par des nouvelles.

● Précautions concernant les piles

- Bien placer les piles en respectant les polarités plus "⊕" et moins "⊖".
- Utiliser des piles du même type.
Ne jamais essayer d'utiliser des types de pile différents ensemble.
- Des piles ou des batteries peuvent être utilisées. Se référer à leurs étiquettes pour les précautions à respecter.
- Si le boîtier de télécommande n'est pas utilisé pendant une longue période (plus d'un mois), retirer les piles du boîtier de télécommande pour éviter des fuites de pile. Si elles coulent, essuyer le liquide dans le compartiment des piles et remplacer les piles par des neuves.
- Ne pas chauffer, démonter les piles ni les mettre au feu.

Utilización del control remoto (mando a distancia)

Utilizado la unidad de control remoto suministrada, el sintonizador y algunos de los otros instrumentos TASCAM utilizados con el mismo pueden ser controlados desde su posición de escucha. Para utilizar la unidad de control remoto, apúntela al REMOTE SENSOR del sintonizador (o de otros componentes TASCAM).

Notas:

- Es posible que el mando a distancia no funcione correctamente, incluso en el área operativa del mismo, si se encuentran obstáculos en su camino.
- Si el mando a distancia se utiliza cerca de otros electrodomésticos que generen rayos infrarrojos, o si cerca de él se utilizan otros dispositivos de control remoto que empleen rayos infrarrojos, puede funcionar incorrectamente. A la inversa, los otros electrodomésticos también pueden funcionar erróneamente.

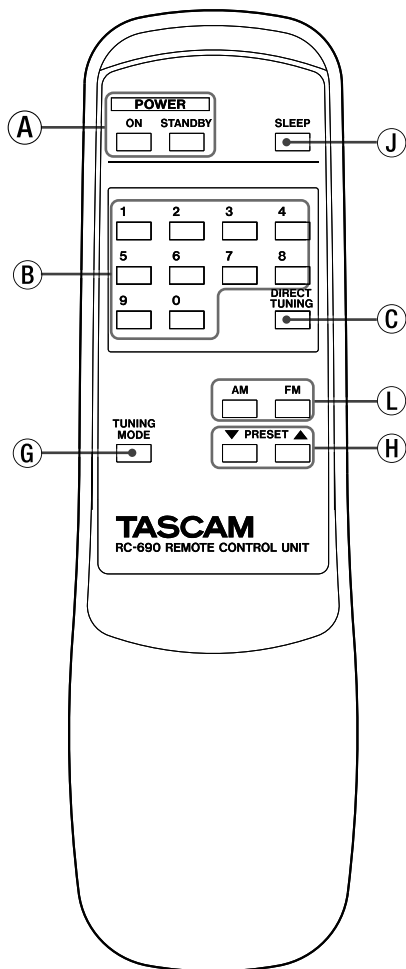
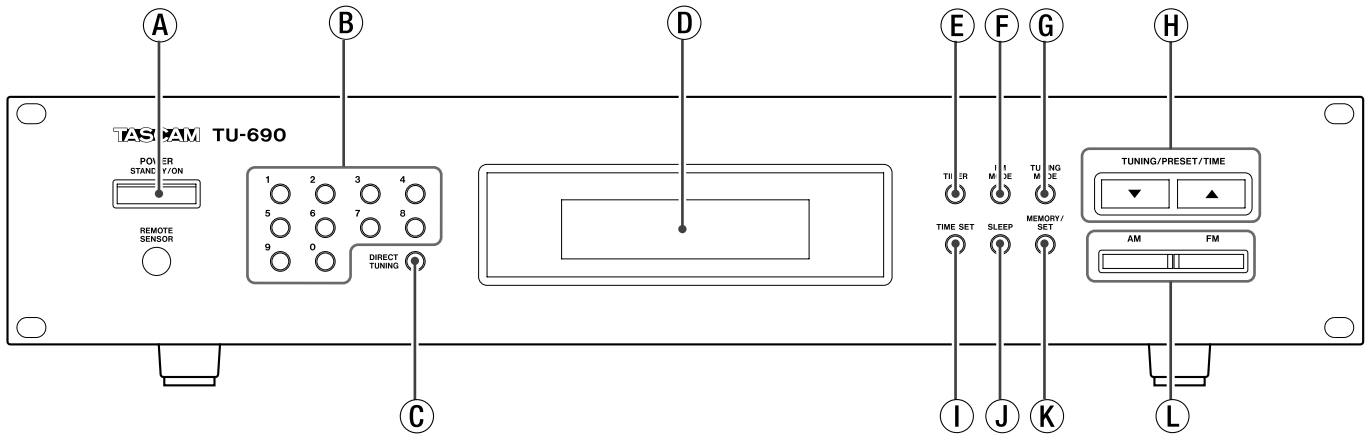
● Instalación de las baterías

- 1 Abra la tapa del compartimiento de las pilas.
 - 2 Coloque dos pilas "AA". Asegúrese de que las pilas queden ubicadas con sus polos positivo "⊕" negativo "⊖" correctamente posicionados.
 - 3 Cierre la tapa hasta que se trabee.
- Se si notasse che la distanza di funzionamento diminuisce, ciò indica che le batterie sono scariche. In tale caso sostituire le batterie con altre di nuove.

● Precauciones con las baterías

- Asegúrese de que se inserta las baterías en correcta polarización. "⊕" con el positivo de la pila y "⊖" con el negativo de la pila.
- Use pilas del mismo tipo. Nunca use diferentes tipos de baterías juntos.
- Se pueden usar pilas recargables y no recargables. Lea esta información en las etiquetas de las pilas.
- Cuando no vaya a utilizar el mando a distancia durante un tiempo (más de un mes), retire las pilas del mando para prevenir su sulfatación. Si esto ocurre limpie el compartimiento de las pilas y reemplace estas por unas nuevas.
- No someter a calor ni intentar abrir las pilas y nunca tirarlas al fuego.

Name of Each Control



A POWER switch

Press this switch to turn the unit on and off. This unit does not turn all the way off. When you press the POWER switch (or the remote STANDBY button) to turn the unit off, the center display is switched to show the current time.

B Numeric buttons

These are used either to directly input frequency numbers or to select preset stations.

C DIRECT TUNING button

Press this button and you can use the numeric buttons to directly input frequency numbers.

D Display

E TIMER button

Press this button to put the tuner under the control of a built-in timer in terms of automatically switching on power to the unit at a predetermined time and turning it off after a predetermined time period.

F FM MODE button

This button toggles Stereo and Mono modes.

G TUNING MODE button

Press this button to toggle Preset and Tuning modes.

H TUNING/PRESET/TIME buttons

These buttons are used to: 1) search out stations; 2) let the unit tune in to a preset station; and 3) set a built-in clock and timer.

I TIME SET button

Press this button and the MEMORY/SET button is available to set a built-in clock and timer.

J SLEEP button

This button lets you set a time at the end of which this unit automatically switches itself off.

K MEMORY/SET button

This button is used either to store stations in presets or to set a built-in clock and timer.

L AM/FM select button

Use this button to select either of the frequency bands.

Nomenclature

A Commutateur POWER

Appuyer sur ce commutateur pour allumer ou éteindre l'appareil.

Cet appareil ne s'éteint pas complètement. Quand vous appuyez sur le commutateur POWER (ou la touche STANDBY) pour éteindre l'appareil, l'heure est affichée.

B Touches numériques

Elles sont utilisées pour soit entrer les fréquences ou choisir les postes pré-réglés.

C Touche DIRECT TUNING

Appuyez cette touche et vous pouvez utiliser les touches numériques pour entrer directement les fréquences.

D Affichage

E Touche TIMER

Appuyez sur cette touche pour placer le syntonisateur sous le contrôle de la temporisation incorporée qui permet d'allumer l'appareil à une période déterminée et d'éteindre l'appareil à une période déterminée.

F Touche FM MODE

Appuyer sur cette touche pour alterner entre Stéréo et Mono.

G Touche TUNING MODE

Appuyer sur cette touche pour alterner entre Preset et Tuning.

H Touches TUNING/PRESET/TIME

Ces touches sont utilisées pour: 1) Fureter les postes; 2) Syntoniser à un poste pré-réglé; 3) Régler l'horloge et la temporisation incorporées.

I Touche TIME SET

Appuyer sur cette touche et la touche MEMORY/SET permet le réglage de l'horloge et la temporisation.

J Touche SLEEP

Cette touche permet de régler le temps que l'appareil reste allumé.

K Touche MEMORY/SET

Cette touche est utilisée pour soit mémoriser les postes pré-réglés ou régler l'horloge et la temporisation incorporées.

L Touche sélecteur AM/FM

Utilisez cette touche pour choisir une des bandes de fréquences.

Nombre de los controles

A Interruptor POWER (ENERGÍA)

Oprima este interruptor para encender y apagar la unidad.

Esta unidad no gira todo hasta apagado. Cuando oprima el interruptor de ENERGÍA (o el botón remoto de ESPERA (STANDBY)) para apagara la unidad, la pantalla central se activa para mostrar la hora actual.

B Botones numéricos

Estos se usan ya sea para alimentar directamente los números de la frecuencia o para seleccionar las estaciones preestablecidas.

C Botón DIRECT TUNING (SINTONIZACIÓN DIRECTA)

Oprima este botón y puede utilizar los botones numéricos para alimentar directamente los números de la frecuencia.

D Pantalla

E Botón TIMER (TEMPORIZADOR)

Oprima este botón para poner el sintonizador bajo el control de un temporizador integrado en términos encender la energía de la unidad en forma automática a una hora determinada y apagándola después de una hora predeterminada.

F Botón FM MODE (MODO FM)

Este botón cambia entre los modos Estéreo y Monoaural.

G Botón TUNING MODE (MODO DE SINTONIZACIÓN)

Oprima este botón para seleccionar los modos Preset y Tuning (Preestablecido y Sintonización).

H Botones TUNING/ PRESET/ TIME (SINTONIZACIÓN/ PREESTABLECIDO/ HORA)

Estos botones se utilizan para: 1) sintonizar las estaciones; 2) dejar la unidad sintonizada en una estación preestablecida y 3) ajustar el reloj y un temporizador integrados.

I Botón TIME SET (ajuste de hora)

Oprima este botón y el botón MEMORY/SET (ajustar) está disponible para ajustar un reloj y un temporizador integrados.

J Botón SLEEP (DORMIR)

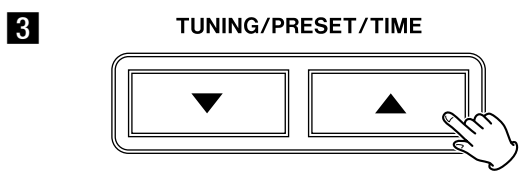
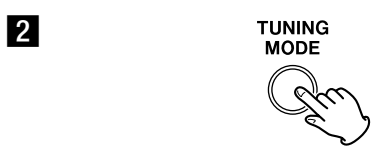
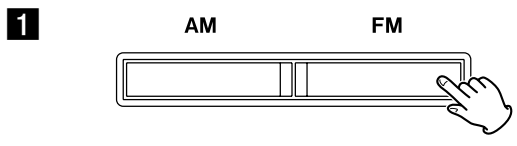
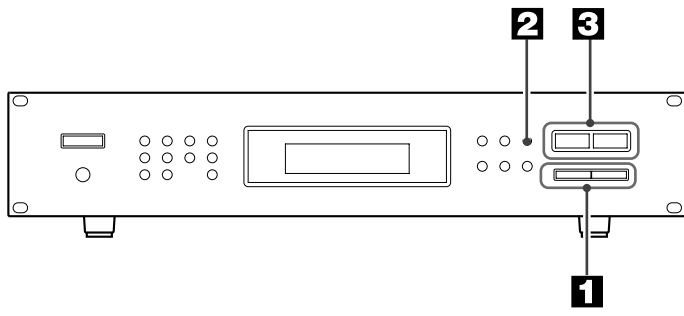
Este botón le permite ajustar una hora al final de la cual esta unidad se apaga automáticamente.

K Botón MEMORY/ SET (MEMORIA/ AJUSTE)

Este botón se utiliza ya sea para almacenar estaciones en el preajuste o para ajustar un reloj y un temporizador integrados.

L Botón de selección AM/FM

Utilice este botón para seleccionar cualquiera de las bandas de frecuencia.



Radio Reception (1)

1 Select the AM or the FM band by pressing the corresponding button.

2 If the PRESET indicator is lit in the display, turn it off by pressing the TUNING MODE button.

3 Select the station you want to listen to (auto selection).

Hold down the TUNING button for 0.5 to 2 seconds. When a station is tuned in, the tuning process will stop automatically. Press the TUNING button to stop the auto selection.

● **Selecting stations which cannot be tuned automatically (manual selection)**

Press the TUNING button repeatedly or hold down it, and release it when the station you want to listen to is found.

When the TUNING button (▼/▲) is pressed momentarily (0.5 second or less), the frequency changes by a fixed step (see STEPS below).

FM : 100 kHz steps
AM : 10 kHz steps

- "STEREO" is displayed when a stereo broadcast is tuned in.
- "TUNED" is displayed when a broadcast is correctly tuned in.

Réception de la radio (1)

1 Choisir la bande AM ou FM en appuyant la touche correspondante.

2 Si le témoin PRESET est allumé, l'éteindre en appuyant sur la touche TUNING MODE.

3 Sélectionnez la station que vous voulez écouter (auto sélection).

Maintenez enfoncé le bouton TUNING entre 0,5 et 2 secondes. Quand une station est captée, le processus de réglage s'arrête automatiquement.

Appuyez sur le bouton TUNING pour arrêter la sélection automatique.

● **Sélection des stations impossibles à régler automatiquement (réglage manuel)**

Appuyez sur le bouton TUNING de façon continue ou maintenez-le enfoncé et relâchez-le quand la station recherchée est trouvée.

Lorsque la touche TUNING (▼/▲) est pressée momentanément (0,5 seconde ou moins), la fréquence est changée d'un palier fixe.

FM : paliers de 100 kHz

AM : paliers de 10 kHz

- "STEREO" apparaît dans l'affichage quand une émission stéréo FM est reçue.
- "TUNED" apparaît dans l'affichage quand une émission est correctement sintonisée.

Recepción de radio (1)

1 Seleccione la banda AM o FM oprimiendo el botón correspondiente.

2 Si se enciende el indicador PRESET (PREESTABLECIDO) en la pantalla, apáguelo oprimiendo el botón TUNING MODE (MODO DE SINTONIZACIÓN).

3 Seleccione la emisora que se desea escuchar (selección automática)

Mantenga pulsado el botón TUNING entre 0,5 y 2 segundos.

Al sintonizar una emisora, el proceso de sintonización separa automáticamente.

Pulse el botón TUNING para detener la selección automática.

● **Selección de emisoras que no pueden sintonizar automáticamente (selección manual)**

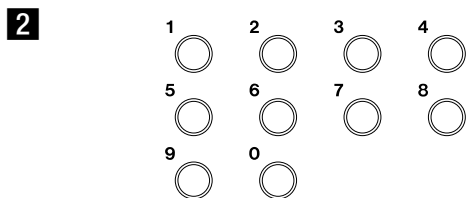
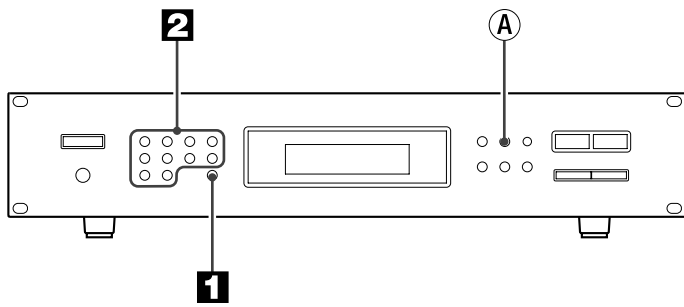
Pulse de manera reiterada el botón TUNING, o manténgalo pulsado y suéltelo al encontrar la emisora que desea escuchar.

Cuando presiona el botón TUNING (▼/▲) momentáneamente (0,5 segundos o menos), la frecuencia cambia en los pasos fijados.

FM : Pasos de 100 kHz

AM : Pasos de 10 kHz

- En la pantalla aparece "STEREO" cuando se sintoniza una emisión en sonido estéreo.
- "TUNED" aparece en la indicación cuando la radiofusora está correctamente sintonizada.



FM: 100 kHz steps
paliers de 100 kHz
Pasos de 100 kHz

AM: 10 kHz steps
paliers de 10 kHz
Pasos de 10 kHz

Ex.: FM 107.5 MHz

Ex.: AM 1000 kHz

Radio Reception (2)

A FM MODE Button

Pressing this button alternates between Stereo mode and Mono mode.

Stereo

FM stereo broadcasts are received in stereo and the STEREO indicator lights in the display. If FM broadcasts with weak signal strength are received, the FM muting function works automatically to cut the signals, eliminating loud noise.

Mono

To compensate for weak FM stereo reception, select this mode. Reception will now be forced monaural, reducing unwanted noise.

Direct Tuning

Using this method, the required frequency is input directly, using the numeric keys on the remote control unit.

1 Press the DIRECT TUNING button.

The frequency numbers that were displayed should go out. They will come up again if you don't go on to the next step within 5 seconds. If this happens, press the DIRECT TUNING button again.

2 Input the frequency of the broadcast you want to hear with the numeric keys.

Notes:

- To directly tune to FM frequencies, you need to input two digits after the decimal point.
- Either in FM or AM mode, if the number you enter in the rightmost column is wrong and all the preceding numbers are correct, the tuner tunes to the nearest frequency available.

Ⓐ Touche FM MODE

Une pression sur cette touche fait alterner entre le mode Stéréo et le mode Mono.

Stéréo

Les émissions stéréo FM sont reçues en stéréo et l'indicateur STEREO est allumé dans l'affichage. Si des émissions FM avec un signal faible sont reçues, la fonction de silencieux FM est activée automatiquement pour couper les signaux, éliminant du bruit parasite.

Mono

Pour compenser la réception stéréo FM médiocre, sélectionner ce mode. La réception sera alors forcée en monophonique, réduisant des parasites indésirables.

Syntonisation directe

Avec cette méthode, la fréquence voulue est entrée directement en utilisant les touches numériques.

1 Appuyer sur la touche DIRECT TUNING.

Les fréquences qui apparaissent devraient disparaître. Elles vont revenir si vous ne suivez pas l'étape suivante en dedans de 5 secondes. Si cela se produit appuyer de nouveau sur la touche DIRECT TUNING.

2 Entrer la fréquence de l'émission que vous voulez entendre avec les touches numériques.

Remarques:

- Pour une syntonisation directe de fréquences FM vous devez entrer deux chiffres après le point décimal.
- Soit en mode FM ou AM, si vous entrez un chiffre faux à la colonne de l'extrême droite alors que les chiffres précédents sont tous corrects, le syntoniseur s'aligne sur la fréquence disponible la plus proche.

Ⓐ Botón FM MODO

El presionar este botón conmuta entre el modo estereofónico o monofónico.

Estereofónico

Las radiofusas estereofónicas de FM son recibidas en estereo y se enciende el indicador STEREO en la indicación. Si las radiofusas de FM tienen una señal débil, la función de silenciamiento de FM se activa automáticamente cortando las señales y eliminando de FM se activa automáticamente cortando las señales y eliminando el ruido fuerte.

Monofónico

Para compensar la recepción estereofónica de FM débil seleccione este modo. La recepción será monofónica, reduciendo la interferencia indeseada.

Sintonización directa

Con este método es necesario ingresar la frecuencia deseada directamente con las teclas numéricas.

1 Oprima el botón DIRECT TUNING (SINTONIZACIÓN DIRECTA).

Los números de frecuencia que se mostraron deben salir. Surgirán otra vez si usted no va al siguiente paso en 5 segundos. Si esto sucede, oprima el botón SINTONIZACIÓN DIRECTA.

2 Ingrese por medio de las teclas numéricas la frecuencia que desea escuchar.

Notas:

- Para sintonizar las frecuencias de FM, necesita ingresar dos dígitos después del punto decimal.
- Ya sea en el modo de FM ó AM, si el número que ingresa en la columna extrema derecha está equivocado y todos los números que se ven están correctos, el sintonizador se va a la frecuencia más cercana disponible.

Preset Tuning

This facility is used to store FM, AM broadcasting from Channel 1 to 30 respectively.

Automatic Memory Presetting

1 Select the AM or the FM band by pressing the corresponding button.

2 Hold down the MEMORY/SET button for a while.

"AUTOSAVE" is momentarily displayed and the auto preset process starts, scanning through frequencies searching for, and automatically storing, receivable stations in presets from 1 to 30.

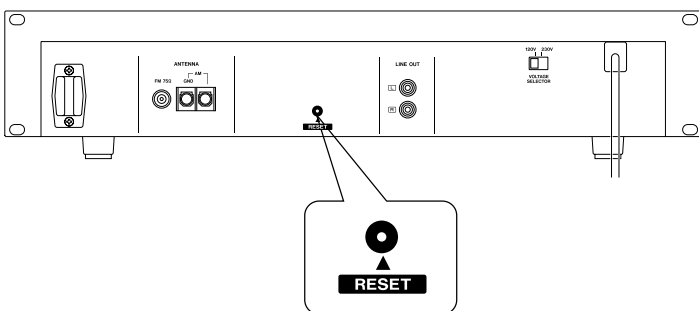
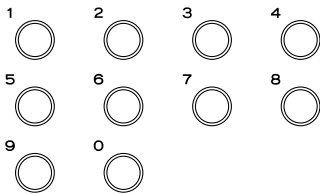
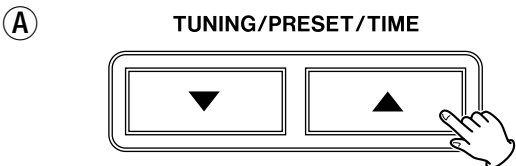
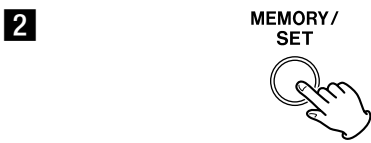
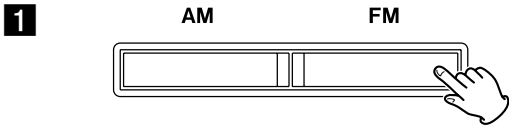
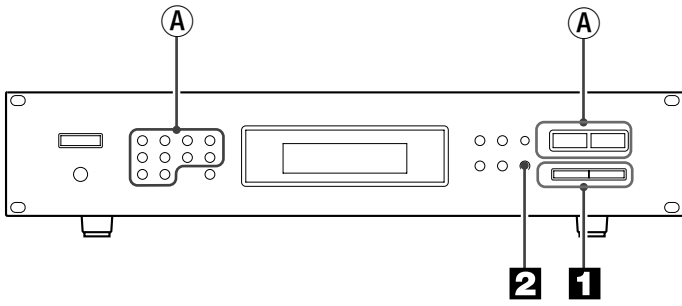
A How to select preset stations

If the PRESET indicator is lit in the display, press the TUNING MODE button to turn the indicator off. Then press a preset number. To tune in to a station stored in preset 2 for example, press 0, followed by 2.

You could directly press 2 to select preset 2. But when you do this and then press 6 for example, the unit understands that you entered "26".

RESET Switch

The preset stations are held in memory for a virtually limitless period of time. To clear all of them from memory, press the RESET switch once or twice with a pencil or a ball-point pen lightly.



Syntonisation pré-réglée

Cette fonction est utilisée pour ranger des émissions FM, AM respectivement du canal 1 à 30.

Préréglage automatique de la mémoire

1 Choisir la bande AM ou FM en appuyant sur la touche correspondante.

2 Maintenir enfoncée la touche MEMORY/SET pour un bout de temps.

"AUTOSAVE" est affiché momentanément et le processus de pré-réglage automatique débute, balayant les fréquences cherchant pour et entreposant les postes captables dans les pré-réglables 1 à 30.

A Comment choisir les postes pré-réglés

Si le témoin PRESET est allumé, appuyer sur la touche TUNING MODE pour l'éteindre. Ensuite appuyer sur un numéro de pré-réglage. Par exemple pour syntoniser un poste entreposé dans le numéro 2, appuyer sur 0 et ensuite 2.

Vous pouvez directement appuyer sur le 2, mais si vous faites ça et qu'ensuite par exemples vous appuyez sur le 6, l'appareil interprète l'entrée comme étant "26".

Commutateur RESET

L'information des postes pré-réglés reste en mémoire pour un temps pratiquement illimité. Il vous est loisible de l'effacer de la mémoire en appuyant une ou deux fois avec un crayon ou un stylo sur le commutateur RESET qui se trouve à l'arrière de l'appareil.

Sintonización preajustada

Esta función es empleada para almacenar radiofusas de FM y AM en el canal 1 a 30 respectivamente.

Preajuste de memoria automática

1 Seleccione la banda AM o FM oprimiendo el botón correspondiente.

2 Mantenga presionado el botón MEMORY/SET (MEMORIA/ AJUSTE) por un momento.

Se muestra momentáneamente la pantalla "AUTOSAVE" (guardado automático) y empieza el proceso automático de preajuste, pasando a través de las frecuencias buscando y almacenando automáticamente las estaciones que se reciben el número preestablecido del 1 al 30.

A Cómo seleccionar las estaciones preajustadas

Si está encendido el indicador PRESET (PREESTABLECIDO), en la pantalla, oprima le botón TUNING MODE (MODO DE SINTONIZACIÓN) para apagar el indicador. Después oprima un número preestablecido. Para sintonizar una estación almacenada en el número preestablecido 25, por ejemplo, oprima 0, seguido de 2.

Podría oprimir directamente el número 2 para seleccionar el número preestablecido. Pero, por ejemplo, cuando haga esto y oprima 6, la unidad entiende que dado el número "26".

Interruptore RESET

La memoria preajustada se mantendrá durante un periodo prácticamente ilimitado. Para borrar todos los datos de la memoria, pulse ligeramente el interruptor RESET una o dos veces con un lápiz o bolígrafo, que se da en el tablero posterior.

Manual Memory Presetting

1 Select the AM or the FM band by pressing the corresponding button.

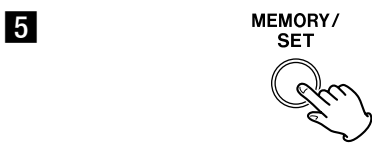
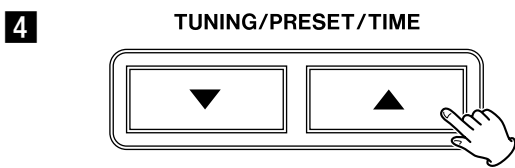
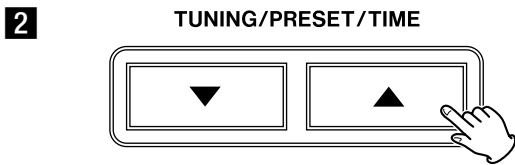
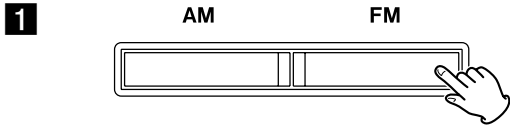
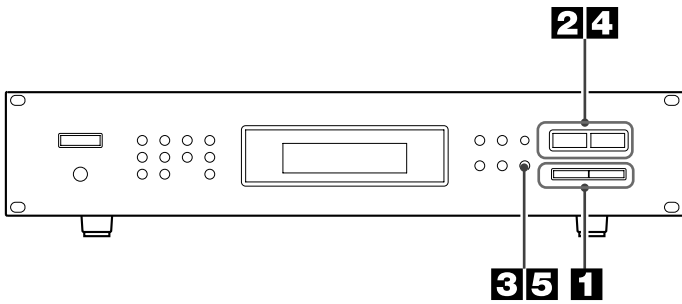
2 Tune in to a station.

3 Press the MEMORY button.

4 While the MEMORY indicator is blinking in the display, press the PRESET button to get a desired preset number displayed.

5 Press the MEMORY button again.

Repeat the process to store other stations in presets.



Réception de la radio (4)

Préréglage manuel de la mémoire

1 Choisir la bande AM ou FM en appuyant sur la touche correspondante.

2 Syntoniser le poste.

3 Appuyer sur la touche MEMORY.

4 Pendant que le témoin MEMORY clignote, appuyer sur la touche PRESET pour que le numéro de pré-réglage désiré est affiché.

5 Appuyer sur la touche MEMORY de nouveau.

Répéter ce procédé pour enregistrer d'autres postes dans les pré-réglables.

Recepción de radio (4)

Preajuste manual de memoria

1 Seleccione la banda AM o de FM oprimiendo el botón correspondiente.

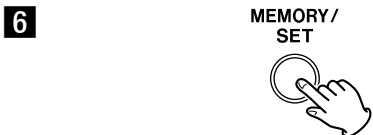
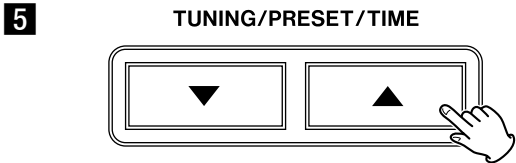
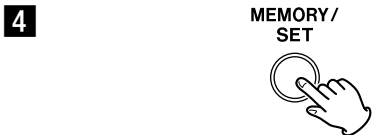
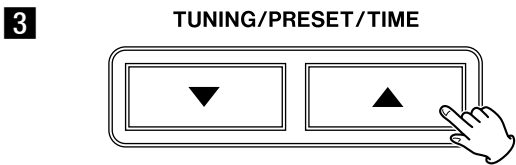
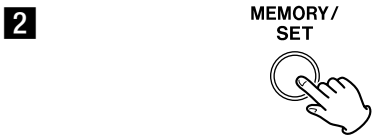
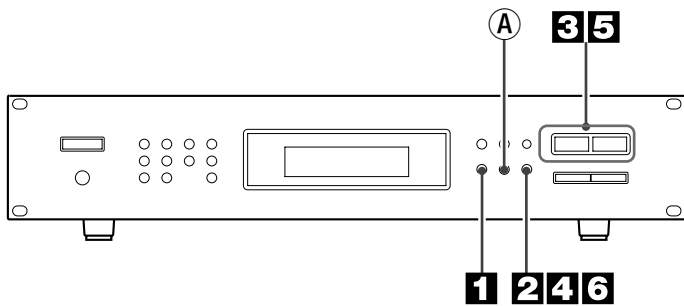
2 Sintonicé una estación.

3 Oprima el botón MEMORY (MEMORIA).

4 Mientras esté parpadeando el indicador MEMORY, oprima el botón PRESET para obtener un número preajustado desplegado en pantalla.

5 Oprima otra vez el botón MEMORY (MEMORIA).

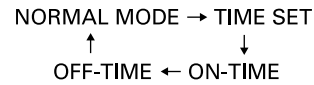
Repita el proceso para almacenar otras estaciones en los números preajustados.



Setting the Clock

1 Press the TIME SET button.

Every time the TIME SET button is pressed, the mode is changed as follows:



ON-TIME and OFF-TIME are used when programming a built-in timer (more on this later).

Since you are now setting up the clock, select TIME SET.

2 Press the MEMORY/SET button.

The hours start blinking.

3 Press the TIME button to set the current hour.

4 Press the MEMORY/SET button.

The minutes start blinking.

5 Press the TIME button to set the current minute.

6 Press the MEMORY/SET button.

The clock starts from 00 second.

The display is automatically switched back to show time or a frequency number depending on whether the tuner is currently in STANDBY mode or in its powered-up mode.

Sleep Timer

A The power can be switched off at the desired time.

Press the SLEEP button in the on mode. Display becomes dark and "SLEEP 90" is shown on the display. The sleep time can be changed by 10 minutes' step. Press the SLEEP button repeatedly until the desired time appears.

SLEEP 90 : The power will be switched off 90 minutes later.

SLEEP 80, SLEEP 70 SLEEP 10

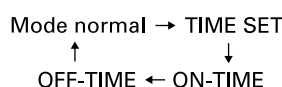
SLEEP OFF : Sleep timer is off.

- You can check the remaining time by pressing the SLEEP button.

Réglage de l'horloge

1 Appuyez sur la touche TIME SET.

Chaque pression sur la touche TIME SET permet de changer de mode selon l'ordre indiqué ci-après :



Les temps de marche et d'arrêt (ON-TIME et OFF-TIME) sont utilisés quand vous programmez la temporisation (plus de détails plus tard).

Étant donné que vous êtes présentement en train de régler l'horloge, choisissez TIME SET.

2 Appuyer sur la touche MEMORY/SET.

Les heures devraient commencer à clignoter.

3 Appuyez sur la touche TIME pour régler les heures.

4 Appuyez sur la touche MEMORY/SET.

Les minutes devraient commencer à clignoter.

5 Appuyez sur la touche TIME pour régler les minutes.

6 Appuyez sur la touche MEMORY/SET.

L'horloge démarre à 00 seconde.

L'afficheur automatiquement montre l'heure ou une fréquence dépendant du fait que le syntonisateur est en mode STANDBY ou tension.

Temporisation de veille

Ⓐ Cette fonction permet d'arrêter l'appareil à l'heure voulue.

Appuyez sur la touche SLEEP (sommeil) alors que l'appareil est sous tension. L'afficheur s'obscurcit et la mention SLEEP 90 s'affiche. L'heure d'arrêt de l'appareil peut être modifiée par pas de 10 minutes. Appuyez plusieurs fois de suite sur la touche SLEEP jusqu'à ce que la durée voulue en minutes s'affiche.

SLEEP 90 : l'appareil s'arrêtera 90 minutes plus tard.

SLEEP 80, SLEEP 70 SLEEP 10

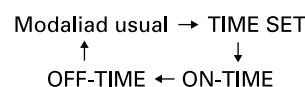
SLEEP OFF : la temporisation de veille est désactivée.

- Pour vérifier la durée programmée avant l'arrêt, il suffit d'appuyer sur la touche SLEEP.

Ajuste del reloj

1 Pulse el botón TIME SET.

Cada vez que se pulsa el botón TIME SET, la modalidad cambia de la siguiente manera:



ON-TIME y OFF-TIME se utilizan cuando se programa un temporizador integrado (esto se verá más adelante).

Debido a que ahora está ajustando el reloj, seleccione TIME SET (AJUSTE DE HORA).

2 Pulse el botón MEMORY/SET.

El número de horas debe empezar a parpadear.

3 Pulse el botón TIME para fijar la hora actual.

4 Pulse el botón MEMORY/SET.

Los minutos deben empezar a parpadear.

5 Pulse el botón TIME para fijar el minuto actual.

6 Pulse el botón MEMORY/SET.

El reloj empieza a funcionar partiendo del segundo 00.

La pantalla se regresa automáticamente para mostrar la hora o un número de frecuencia dependiendo de si el sintonizador está actualmente en el modo de ESPERA (STANDBY) o si está en el modo de encendido.

Temporizador de desconexión

Ⓐ La corriente puede desconectarse a la hora que se desee.

Pulse el botón SLEEP con el equipo encendido. La pantalla se oscurece e indica "SLEEP 90". Puede cambiarse el tiempo hasta la desconexión e incrementos de 10 minutos. Pulse de manera reiterada el botón SLEEP hasta que se indique el tiempo que le interese.

SLEEP 90 : La corriente se desconecta 90 minutos después.

SLEEP 80, SLEEP 70 SLEEP 10

SLEEP OFF : EL temporizador de desconexión se apaga.

- Puede verificar el tiempo que falta para la desconexión pulsando el botón SLEEP.

Setting the Timer

You can program a built-in timer to let the tuner automatically turn on at a predetermined "On Time" and shift back to Standby mode at a predetermined "Off Time," thus there is no chance that you miss your favorite program.

Adjust the clock before setting the timer.

1 Press the **TIME SET** button twice so the display reads **ON-TIME**.

2 Press the **MEMORY/SET** button.

The hours start blinking.

3 Enter the number of hours by pressing the **TIME** buttons.

4 Press the **MEMORY/SET** button.

The minutes start blinking.

5 Enter the number of minutes by pressing the **TIME** buttons.

6 Press the **MEMORY/SET** button.

7 Press the **TIME SET** button three times so the display reads **OFF-TIME**.

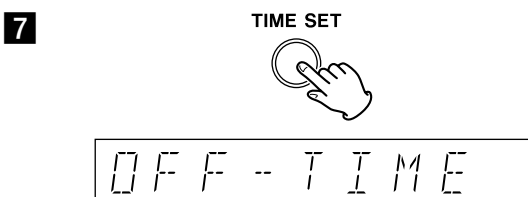
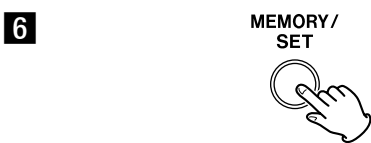
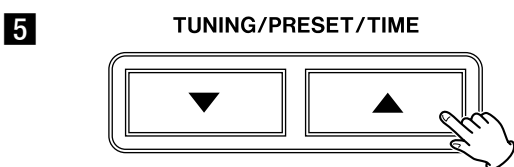
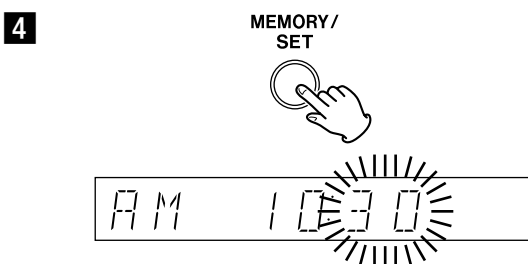
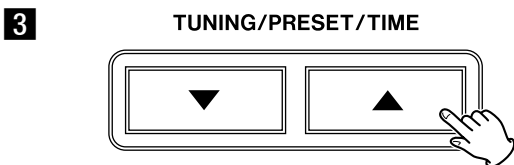
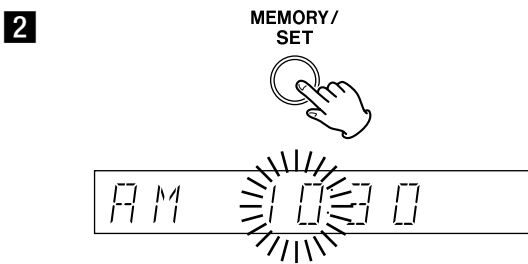
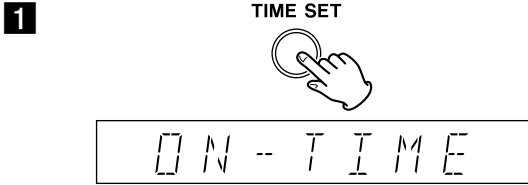
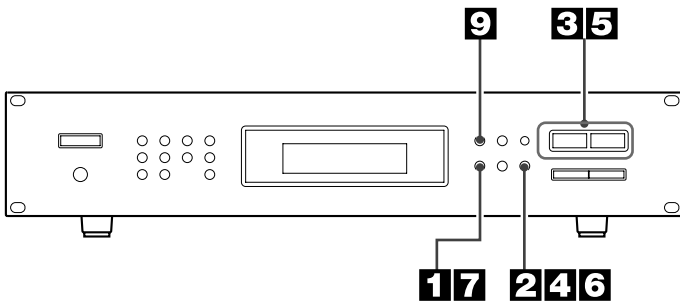
8 Repeat steps 2 to 6.

9 When you have set up both **ON-TIME** and **OFF-TIME**, press the **TIMER** button.

A red indication, **TIMER**, appears in the lower left corner of the display to indicate that the tuner is put under the control of the timer.

To check the current timer settings, press the **TIME SET** button twice, then press the **MEMORY/SET** button. If you are happy with the current **ON-TIME** setting, press the **TIME SET** button once, followed by the **MEMORY/SET** button, to check the **OFF-TIME** setting.

To release the tuner from the control of the timer, simply press the **TIMER** button to turn off the **TIMER** indicator in the display.



Réglage de la temporisation (Timer)

Vous pouvez régler la temporisation incorporée pour permettre au syntonisateur de s'allumer à une heure spécifique et de s'éteindre aussi à une heure spécifique, donc aucune chance de manquer votre programme favori.

Réglez l'heure sur l'horloge avant de régler la temporisation.

1 Appuyer sur la touche TIME SET deux fois afin que ON-TIME est affiché.

2 Appuyer sur la touche MEMORY/SET.

Les heures commencent à clignoter.

3 Entrez les heures en appuyant sur la touche TIME.

4 Appuyer sur la touche MEMORY/SET.

Les minutes commencent à clignoter.

5 Entrez les minutes en appuyant sur la touche TIME.

6 Appuyer sur la touche MEMORY/SET.

7 Appuyer sur la touche TIME SET trois fois afin que OFF-TIME est affiché.

8 Répétez les étapes 2 à 6.

9 Après le réglage de la temporisation de marche et d'arrêt appuyer sur la touche TIMER.

Un témoin rouge TIMER est affiché dans le coin gauche inférieur de l'afficheur pour montrer que le syntonisateur est sous le contrôle de la temporisation.

Pour vérifier la temporisation courante, appuyer sur la touche TIME SET deux fois, ensuite appuyer sur la touche MEMORY/SET. Si vous êtes satisfait du réglage de mise sous tension, appuyer sur la touche TIME SET une fois, ensuite la touche MEMORY/SET pour vérifier le réglage de la mise hors tension.

Pour désengager le syntonisateur du contrôle de la temporisation, simplement appuyer sur la touche TIMER pour éteindre le témoin TIMER sur l'afficheur.

Ajuste del temporizador

Usted puede programar un temporizador integrado para permitir que el sintonizador se encienda automáticamente a una hora de encendido ("On Time") predeterminada y regresar al modo de ESPERA (STANDBY) a una hora predeterminada de apagado ("Off Time"), de esta forma no hay posibilidad de que se pierda su programa favorito; Ajuste el reloj antes de ajustar el temporizador.

1 Oprima el botón TIME SET (AJUSTE DEL TIEMPO) dos veces de manera que la pantalla muestre la indicación ON-TIME (HORA DE ENCENDIDO).

2 Oprima el botón MEMORY/SET (AJUSTE).

Las horas deben empezar a parpadear.

3 Introduzca el número de horas oprimiendo los botones TIME (HORA).

4 Oprima el botón MEMORY/SET.

Los minutos deben a empezar a parpadear.

5 Introduzca el número de minutos oprimiendo los botones TIME.

6 Oprima el botón MEMORY/SET.

7 Oprima el botón TIME SET tres veces de manera que la pantalla muestre OFF-TIME (HORA DE APAGADO).

8 Repita los pasos del 2 al 6.

9 Cuando haya ajustado tanto ON-TIME como OFF-TIME, oprima el botón TIMER (TEMPORIZADOR).

Una indicación roja, TIMER (TEMPORIZADOR), aparece en la esquina izquierda inferior de la pantalla para indicar que el sintonizador está puesto bajo el control del temporizador.

Para verificar los ajustes actuales del temporizador, oprima el botón TIME SET (AJUSTE DE HORA) dos veces, enseguida oprima el botón MEMORY/SET (AJUSTE). Si usted está satisfecho con el ajuste actual de ON-TIME, oprima una vez el botón TIME SET, seguido del botón MEMORY/SET (AJUSTE), para verificar el ajuste de OFF-TIME.

Para liberar el sintonizador del control del temporizador simplemente oprima el botón TIMER (TEMPORIZADOR) para apagar el indicador TIMER de la pantalla.

Troubleshooting

If you have problems with your system, look through this chart and see if you can solve the problem yourself before calling your dealer or TASCAM service center.

No power

- Check the connection to the AC power supply.

Cannot listen to any station, or signal is too weak.

- Tune in the station properly.
- If a TV is near the unit, turn it off.
- Install the antenna again after locating the best reception position.
- An external antenna may be required.

Though the broadcast is stereo, it sounds monaural.

- Press the FM MODE button.

Remote control does not work.

- If the batteries are exhausted, change the batteries.
- Use remote control unit within the range (5m/15ft) and point at the front panel.
- Clear obstacles between the remote control unit and the main unit.
- If a fluorescent light is near the unit, turn it off.

If normal operation cannot be achieved, unplug the power cord from the outlet and plug it again.

Specifications

FM Tuner Section

(Without notes 98 MHz, 65 dBf)

Tuning Range:

87.5 MHz – 108.0 MHz (100 kHz steps)

Usable Sensitivity (IHF):

Mono: 11.2 dBf

50 dB Quieting Sensitivity:

Mono: 15 dBf

Stereo: 20 dBf

Total Harmonic Distortion (1 kHz):

Mono: 0.4%

Stereo: 0.5%

Frequency Response: 30 Hz – 15 kHz, +1/ –1.5 dB

Stereo Separation (1 kHz): 40 dB

Signal-to-Noise Ratio:

Mono: 72 dB

Stereo: 70 dB

AM Tuner Section

Tuning Range:

530 kHz – 1,720 kHz (10 kHz steps)

Usable Sensitivity: 55 dB/m

Total Harmonic Distortion: 0.8% at 85 dB/m

Signal-to-Noise Ratio: 45 dB at 85 dB/m

General

Power Requirements:

120/230 V AC, 50-60 Hz

Power Consumption:

8 W

Dimensions (W x H x D)

435 x 102 x 270 mm

Weight (net): 3.6kg

Standard Accessories:

AM Loop Antenna x 1

FM T-type Antenna x 1

Matching Transformer x 1

Remote Control Unit (RC-690) x 1

- Improvements may result in specifications and features changing without notice.
- Illustrations may differ slightly from production models.

Dépannage

En cas de problème, commencer par chercher dans ce tableau pour voir si on peut trouver soi-même la solution avant de contacter le revendeur ou le centre de service client TASCAM.

L'appareil n'est pas alimenté

- Vérifier que le cordon d'alimentation est bien branché.

Aucune station ne peut être captée, ou niveau sonore trop faible.

- Se régler précisément sur la station désirée.
- Si l'appareil se trouve à proximité d'un poste de télévision, éteindre ce dernier.
- Installez de nouveau l'antenne après avoir repéré la meilleure position de réception.
- Il est recommandé d'utiliser une antenne externe.

Bien que l'émission soit en stéréo, le son est en mono.

- Actionnez la touche FM MODE.

La télécommande ne fonctionne pas

- Remplacer les piles, si celles-ci sont usées.
- Utiliser la télécommande à une distance de 5m et l'orienter en direction du panneau avant de l'appareil.
- Dégager les obstacles qui peuvent se trouver entre la télécommande et l'appareil.
- Si l'appareil se trouve à proximité d'une lampe fluorescente, éteindre celle-ci.

Si vous ne parvenez pas à rétablir un fonctionnement normal, débrancher le cordon d'alimentation et le rebrancher.

Spécifications

Section syntoniseur FM

(Sans remarques 98 MHz, 65 dBf)

Plage de syntonisation:

87,5 MHz à 108,0 MHz (paliers de 100 kHz)

Sensibilité utilisable (IHF): Mono: 11,2 dBf

Seuil de sensibilité à 50 dB:

Mono: 15 dBf

Stéréo: 20 dBf

Distorsion harmonique totale (1 kHz):

Mono: 0,4%

Stéréo: 0,5%

Réponse en fréquence:

30 Hz à 15 kHz, +1/ -1,5 dB

Séparation stéréo (1 kHz): 40 dB

Rapport signal sur bruit:

Mono: 72 dB

Stéréo: 70dB

Section syntoniseur AM

Plage de syntonisation:

530 kHz à 1.720 kHz (paliers de 10 kHz)

Sensibilité utilisable: 55 dB/m

Distorsion harmonique totale: 0,8% à 85 dB/m

Rapport signal sur bruit: 45 dB à 85 dB/m

Générales

Alimentation:

120/230 V CA, 50-60 Hz

Consommation:

8 W

Dimensions (L x H x P): 435 x 102 x 270 mm

Poids (Net): 3,6 kg

Accessoires standard:

Antenne cadre AM x 1

Antenne FM type "T" x 1

Transformateur d'adaptation x 1

Boîtier de télécommande (RC-690) x 1

- Des améliorations peuvent produire des changements dans les caractéristiques et fonctions sans préavis.
- Les illustrations peuvent différer légèrement des modèles de production.

Solución de problemas

Si surge algún problema con la unidad, consulte la siguiente tabla y pruebe a solucionarlo antes de ponerse en contacto con su distribuidor o con el servicio técnico de TASCAM.

No hay corriente.

- Revise la conexión al suministro de alimentación.

No se escucha ninguna emisora, o la señal es demasiado débil.

- Sintonice correctamente la estación.
- Si hay un televisor cerca del equipo, apáguelo.
- Vuelva a instalar la antena tras localizar la mejor posición de recepción.
- Se recomienda una antena externa.

Aunque la emisión es en estéreo, el sonido parece mono.

- Pulse el botón FM MODE.

No funciona el mando a distancia.

- Cambie las pilas si están agotadas.
- Utilice el mando a distancia dentro del radio de acción (5 m/15 pies) y apunte al panel frontal.
- Retire cualquier obstáculo que haya entre el mando a distancia y la unidad principal.
- Si hay algún fluorescente cerca de la unidad, apáguelo.

Si aun así la unidad no funciona correctamente, desconecte el cable de alimentación y vuélvalo a conectar.

Especificaciones

Sección del sintonizador de FM

(Sin notas 98 MHz, 65 dBf)

Límites de sintonización:

87,5 MHz–108,0 MHz (pasos de 100 kHz)

Sensibilidad utilizable (IHF):

Monofónico: 11,2 dBf

Sensibilidad de reducción de volumen 50 dB:

Monofónico: 15 dBf

Estereofónico: 20 dBf

Distorsión armónica total (1 Hz):

Monofónico: 0,4%

Estereofónico: 0,5%

Respuesta de frecuencia:

30 Hz – 15 kHz, +1 / -1,5 dB

Separación del estéreo (1 Hz): 40 dB

Relación de señal a ruido:

Monofónico: 72dB

Estereofónico: 70 dB

Sección del sintonizador de AM

Límites de sintonización:

530 KHz-1.720 KHz, (pasos de 10 KHz)

Sensibilidad utilizable: 55 dB/m

Distorsión armónica total:

0,8% a 85 dB/m

Relación de señal a ruido:

45 dB a 85 dB/m

Generalidades

Requisitos de eliminación:

120/230 V CA, 50-60 Hz

Consumo de energía: 8 W

Dimensiones (Ancho x Alto x Profundidad):

435 x 102 x 270 mm

Peso (neto): 3,6 kg

Accesorios estándar:

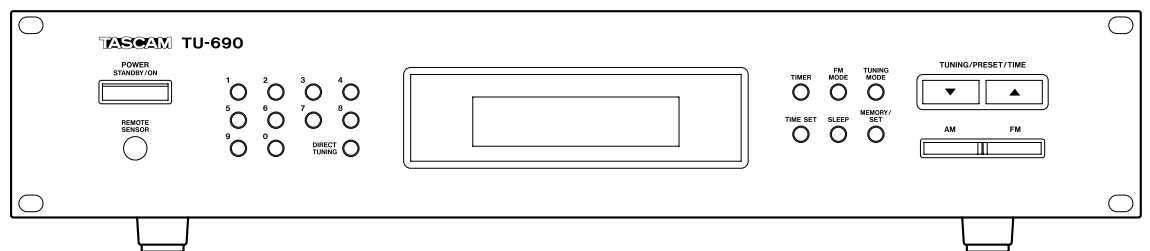
Antena de bucle AM x 1

Antena FM tipo "T" x 1

Transformador de adaptación x 1

Control remoto (RC-690) x 1

- Las especificaciones y especificaciones están sujetas a cambio sin aviso para mejora.
- Las ilustraciones pueden ser levemente diferentes de los modelos de producción.



TASCAM
TEAC Professional Division
TU-690

| | |
|--|--|
| TEAC CORPORATION | 3-7-3, Nakacho, Musashino-shi, Tokyo 180-8550, Japan Phone: (0422) 52-5082 |
| TEAC AMERICA, INC. | 7733 Telegraph Road, Montebello, California 90640 Phone: (323) 726-0303 |
| TEAC CANADA LTD. | 5939 Wallace Street, Mississauga, Ontario L4Z 1Z8, Canada Phone: (905) 890-8008 |
| TEAC MEXICO, S.A. De C.V | Campesinos No. 184, Colonia Granjas Esmeralda, Delegacion Iztapalapa CP 09810 Mexico DF Mexico Phone: 5-581-5500 |
| TEAC UK LIMITED | 5 Marlin House, Croxley Business Park, Watford, Hertfordshire. WD18 8TE, U.K. Phone: 01923-819699 |
| TEAC DEUTSCHLAND GmbH | Bahnstrasse 12, 65205 Wiesbaden-Erbenheim, Germany Phone: 0611-71580 |
| TEAC FRANCE S.A. | 17, Rue Alexis-de-Tocqueville, CE 005 92182 Antony Cedex, France Phone: (1) 42.37.01.02 |
| TEAC NEDERLAND BV | Oeverkruid 15, NL-4941 VV Raamsdonksveer, Nederland Phone: 0162-510210 |
| TEAC BELGIUM NV/SA | c/o TEAC NEDERLAND BV, Oeverkruid 15, NL-4941 VV Raamsdonksveer, Nederland Phone: 0031-162-510210 |
| TEAC ITALIANA S.p.A. | Via C. Cantù 11, 20092 Cinisello Balsamo, Milano, Italy Phone: 02-66010500 |
| TEAC AUSTRALIA PTY., LTD. A.B.N. 80 005 408 462 | 280 William Street Melbourne, Victoria 3000, Australia Phone: (03) 9672-2400 |
